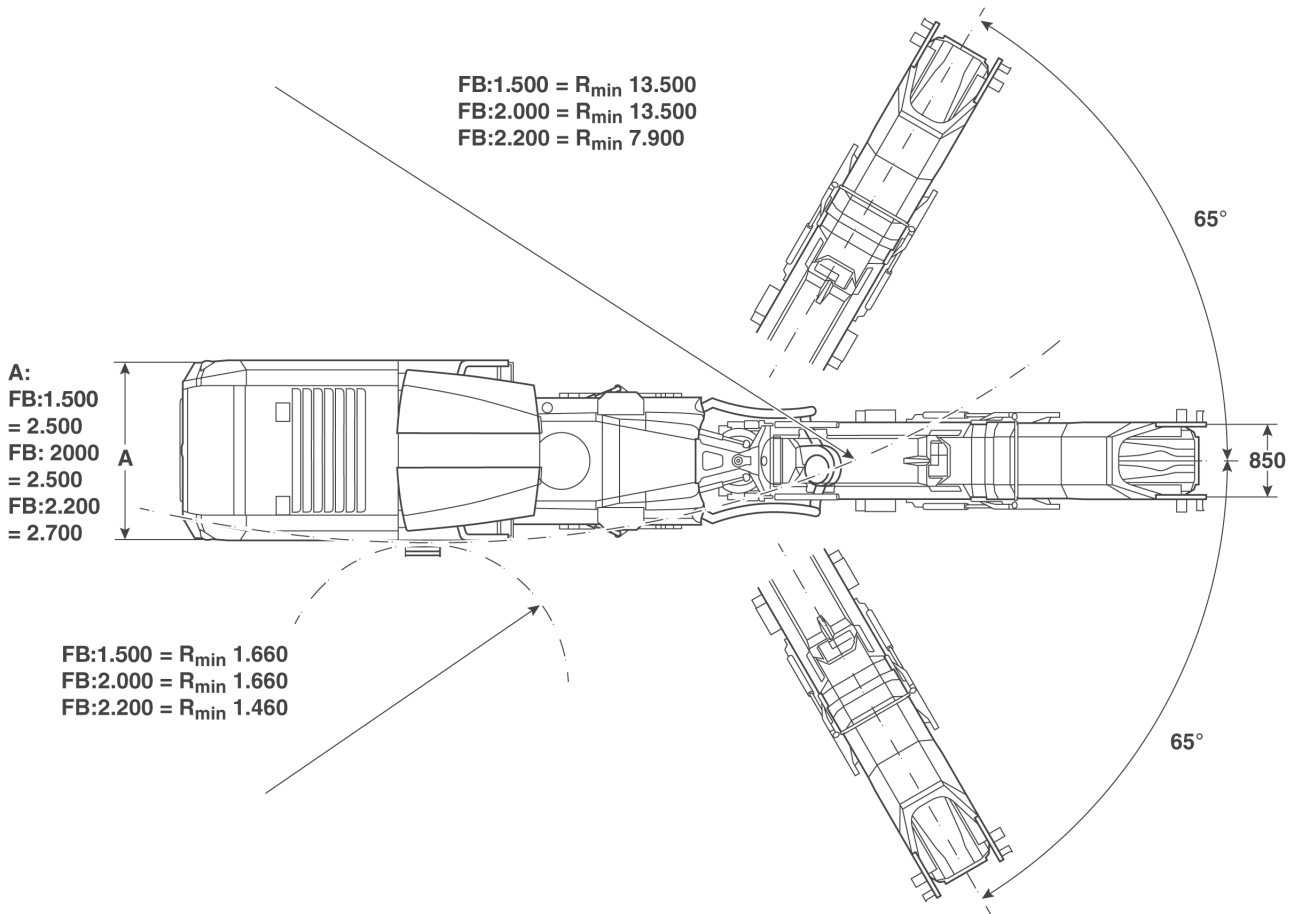
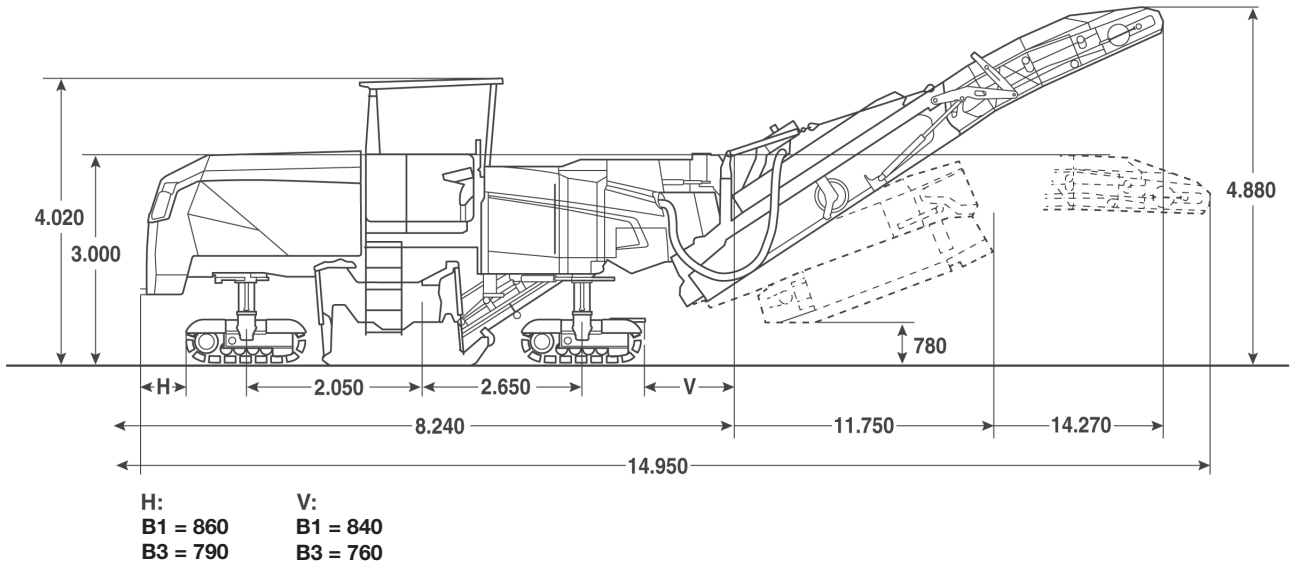


# TECHNICAL DATA

COLD PLANER (TIER 3)

BM 1500/65, BM 2000/65, BM 2200/65





## Technical Data

### Milling Drum Speed

	<b>BOMAG BM 1500/65</b>	<b>BOMAG BM 2000/65</b>	<b>BOMAG BM 2200/65</b>
Working width max .....	1.500	2.000	2.200
Working depth .....	0 – 350	0 – 350	0 – 350
Linespace .....	18	15	15
Cutting diameter .....	1.020	1.020	1.020
No of tools .....	119	162	174
Milling drum speed .....	variable, 90, 105, 115	variable, 90, 105, 115	variable, 90, 105, 115

### Drive Train

Manufacturer .....	Cummins	Cummins	Cummins
Type .....	X15	X15	X15
Cooling .....	Liquid cooled	Liquid cooled	Liquid cooled
Cylinders / Displacement .....	6 / 14.900	6 / 14.900	6 / 14.900
Performance .....	470 / 640	470 / 640	470 / 640
Idle at rated Power .....	1.900	1.900	1.900
Max Torque .....	2.778 / @1.400	2.778 / @1.400	2.778 / @1.400
Fuel consumption, at max Torque / at rated Power .....	218 @ 1.900	218 @ 1.900	218 @ 1.900
Generator .....	24 / 190	24 / 190	24 / 190
Battery .....	2 x 12 / 200	2 x 12 / 200	2 x 12 / 200
Emission level .....	TIER 3	TIER 3	TIER 3

### Driving Characteristics

Transport Speed .....	0 – 6	0 – 6	0 – 6
Working speed .....	0 – 100	0 – 100	0 – 100
Crawlers (B1) .....	1.550 x 270 x 595	1.550 x 270 x 595	1.550 x 270 x 595

### Capacities

Fuel .....	1.200	1.200	1.200
Water .....	3.250	3.250	3.250
Hydraulic oil .....	200	200	200

### Loading System

Conveyor width, inner /outer .....	850 / 850	850 / 850	850 / 850
Theoretical discharge capacity .....	485	485	485
Discharge height .....	4.880	4.880	4.880

### Weights

Max. Operating Weight (incl. Options) .....	33.060	33.060	33.460
Operating Weight CECE .....	26.660	26.660	27.010
Basic Weight .....	34.310	34.310	24.660

### Additional weights for Options

Canopy .....	370	370	370
Dust reduction system .....	160	160	160
Compressor .....	50	50	50
Ballast 1 .....	975	975	975
Ballast 2 .....	830	830	830
B3 Track .....	600	600	600
Auxiliary unit .....	150	150	150
Scanning FW .....	130	130	130

Technical modifications reserved. Machines may be shown with optional accessories. Actual machine weight depends on the respective configuration.

## Standard

### Milling technology

- Milling drum LA15 including wear protection on the sides
- BOMAG BMS 15 L exchangeable toolholder
- 3 Milling-Drum-speeds, 100, 112, 130
- Proportional adjustable water injection, 0-12 l/min
- Automatic water saving device
- Levelling, 2 sides + slope
- Wear-free, digital Milling depth display
- Proportional Milling depth adjustment
- Two proportional speeds for Milling-depth-adjustment
- Hydraulically operated side-plates with 500 mm (right) and 400 mm (left) stroke
- Hydraulically operated front mouldboard
- Hydraulically rear mouldboard with adjustable preload-pressure
- Right side-plate for fast Drum-exchange
- Automatic load-control
- Automatic distribution of traction
- Hydraulically foldable Conveyor with +65° swivel angle
- Camera system: 1x discharge belt; 1x on the back
- BOMAG Dual Filtration
- BOMAG Easy Cut
- BOMAG Easy Level

### Drive Systems

- 4 crawler B1 size steerable, front or/and rear
- Crab walk
- Variable transport speed
- Variable operating speed
- Mechanical Drum-drive

### Operation comfort

- Fully vibration-isolated operator-platform
- Comfort zones at the standing areas for fatigueless operation
- Adjustable dashboards
- Standardized self-explanatory, well-arranged dashboards
- Large storage at ground level
- Service- and maintenance-points ergonomic concentrated
- Large Storage compartment at the operator platform including 24V plug and flexible layer
- Diesel fill comfortable and safely place at the operator station
- BOMAG Fast Select for a fast machine operation

## Safety & environmental protection

- Noise optimized design
- Liquid cooled engine following latest emission rules without hot exhaust jet to the back
- Integrated working lights – 37.500 lm
- Rotary-beacon
- Mirrors
- CE-conform safety-package with emergency-stop-switches
- Back-up-alarm

## Optional

### Basic machine

- Track chains B3 size
- Storage compartment for cutting tools on the track chains
- Weather protection roof
- Plexiglas weather protection for the side railings
- Water filling pump
- High pressure cleaner
- Hose reel
- Dust reduction system
- ION DUST SHIELD
- Milling drum turning device for easy tool change
- Compressed air system
- Additional motor for auxiliary function & emergency drive function
- Advanced lighting package – additional 142.750 lm
- Ballast weights
- Slewable standing support
- Vandalism protection

### Milling technology

- Quick-exchange drum-system
- Milling-Drum 1500, BMS 15 L, LA18
- Milling-Drum 2000, BMS 15 L, LA18
- Milling-Drum 2000, BMS 15 L, LA15
- Milling-Drum 2200, BMS 15 L, LA15
- Milling-Drum 2000, BMS 15 L, LA8
- Milling-Drum 2200, BMS 15 L, LA8
- POWER DRUM 2000, BMS 15 L, LA23
- POWER DRUM 2200, BBMS 15 L, LA23

### Levelling Systems and electronic support

- Additional external BOMAG Easy Level Display
- 2 scanners left & right in front of the milling box
- Camera system: 2 additional camera's: 1x downholder; 1x rear scraper
- BOMAG TELEMATIC

